



WATTS NEWS



The Best of Amateur Radio

OARC e-Magazine

www.OgdenArc.org

MAY 2020

Next Club Meeting/Activity

May Meeting & Activity



Dave Mamanakis KD7GR

President



Mike Taylor KE7NQH

Vice President



Barbara Siddle KB7FWW

Secretary



J. Siddle KG7CJN

Treasurer



Gil Leonard NG7IL

Program Director



Bob Smith KG7EIZ

Activity Director



Val Campbell K7HCP

Webmaster/NL Editor

PREVIOUS CLUB MEETING/ACTIVITY

APRIL Meeting/Activity

Radio Poker Run 2020

Monday 13 April - Saturday 18 April 2020

NEXT CLUB MEETING/ACTIVITY

MAY Meeting/Activity

Golden Spike Special Event—W7G

**All operators quarantined
and operating from home.**

PREVIOUS MEETINGS PICS

Photos by ... photographers have been quarantined

“Previous Meeting - pictures”

Photos located on the club web site home page.



OARC COMING EVENTS



Next Activity

Golden Spike Special Event—W7G

**All operators quarantined
and operating from home.**

See the following page for details

[OARC General Class License Study Group](#)

April 1, 2020 through May 27, 2020.

Next VE Test Session

1st Wednesday 03 June 2020 @ 6:00 PM

[At the Sheriff's Office](#)

CLUB NEWS

May Meeting/Activity

Golden Spike Special Event - [W7G](#)

Date: 8, 9 May 2020 ... plus optional May 10th

Time: 9 AM - 5 PM ... extended hours = all daylight hours MDT

Location: Golden Spike National Monument [MAP](#) ... closed this year

Activity: Golden Spike Special Event ... operate from your home

QSL information >>> [W7G website](#)

Call Sign information >>> [QRZ.com](#) (callsign = W7G)

W7G Special Event 2020 [ARRL/QST Special Events for May](#)

Receive a [Golden Spike Special Event W7G](#) Souvenir QSL card for yourself

[Working from Home Rules](#) W7G 2020



Special Event W7G - Sign-up



Dave's Rag Chew



Dave Mamanakis KD7GR

My Friends! Welcome to MAY!

For you Star Wars people, May the 4th be with you, and don't forget the Revenge of the 5th!

For all of you who love Mexican Food and Culture, Happy Cinco De Mayo! Oh, and it falls on Taco Tuesday!

Also in May? The Golden Spike, W7G event, Covid-19 style! Yes! We do plan on contacting people, from the Comfort of our own homes! Or out in the Shack... or in our Vehicles... or even out on the Front Lawn!

The sign-up sheet is out on the Website! Please pick a time and do some contacting as W7G!

(Remember to log your contacts!)

I had been giving some thought to talk about something we all suffer from at one time or another... "Mic Fright"... Think of it as "Stage Fright" for Ham Operators.

It seems that everyone will get it, at first, and sometimes if they haven't operated in a while. So, it's no big deal!

But it still feels like a big deal! "What do I say?", "How do I say it?"

Well, lucky for you, here is the answer: "Don't worry about it!" No, really! There is no right or wrong answers. You can't "get it wrong" and there is no one out there grading you on your performance! So, "Don't worry about it!"

There are only a few guidelines:

1) You need to identify your station (call sign) every 10 minutes and at the end of your transmission.

2) That's it.

"But... isn't it more complicated?"

Nope. Pick up the mic, put it somewhere near your mouth, push the PTT button, and say, "[your call sign] monitoring" and see what happens!

See? Simple!

We have a group of people that are on, around, or near their radios all the time, and SOMEONE is likely to respond to you! They won't be critical, but they will be helpful! I can't think of anyone in the club that wouldn't help guide you through your first conversation on the repeater!

Once you have one conversation, you will have another... then another... and soon, you will be on the air all the time too! You will help guide people through their first conversations!

So... how does someone overcome Mic Fright?

1) Remember, it isn't a big deal...

2) Just "Do It"...

When I've had the opportunity to listen in on the repeater, I've heard many people whom I don't know having conversations about antennas, radios, cars, weather, shopping, etc... anything and everything.

Just "Do It"! Join in and have a conversation of your own!

I'm really looking forward to our summer activities! We are working towards solving some of the obstacles we face, so stay tuned for more information! We'll let you know when we have something! (And on the repeater is a great way to hear about upcoming information!)

Ok, enough from me for now!

I hope to hear you on the repeater, and Contacting as W7G during our Golden Spike event Friday and Saturday, May 8th and 9th!

--Dave (KD7GR)

CLUB NEWS

HAM and EGGS Net

Tuesday Evenings at 6:30 PM Mountain Time

Mt Ogden **70 cm repeater 448.600 MHz** (- offset, 123.0 PL Tone)

New, Intermediate & Old Timers. Elmering, Education, General Ham Discussion and Rag Chew.

New hams encouraged to check in. Get connected, learn new things and ask questions.

Questions: Larry Griffin AD7GL, ad7gl@arrl.net

Stan Sjol W0KP, stansjol@xmission.com

CLUB NEWS

CW Net

Thursday Evenings at 8:00 PM Mountain Time

Mt Ogden **70 cm repeater 448.600 MHz** (- offset, 123.0 PL tone)

Anyone interested in learning how to operate CW (morse code) is welcome to join in.

Any skill level is welcome, from no experience at all to "want-a-be".

Here is a start: S O S = ... --- ...

Questions and Net Control: Bryce Draper (K17YZU) brycejill@hotmail.com

CLUB NEWS

10 Meter Net

Thursday Evenings at 0200 UTC (7:00 PM MT)

10 Meters HF - **28.385 MHz SSB (USB)**

Purpose is to promote activity on the 10 meter band (especially during low sunspot activity).

To give technician class operators an opportunity to operate phone, and to provide a venue for conversation and experimentation with antenna and ground wave propagation.

Questions and Net Control: KA6J Jim, ka6j@comcast.net

CLUB NEWS

de NG7IL
5NN UTDAV



I might be bragging a bit, please forgive me. This is a personal best for me. I have participated in 7QP several times in my short ham radio adventures. 2020 was the BEST.

Saturday, May 2, 2020 presented the 2020 7QP QSO Party. The 7QP represents all States in the 7-area call district. Washington, Oregon, Idaho, Montana, Nevada, Utah, Wyoming, and Arizona.

The goal depends on if you are a part of the 7-area call district or if you are making contact with 7 area call stations. The 8 states combined represent 258 counties.

As a 7-area call operator, your goal is to get your county on the air and make as many contacts with any other stations as you can. Stay home and operate from your home county like I did as NG7IL UTDAV, Utah Davis County. Choose a county that hasn't been activated for a while or get fancy and operate from a county line or state line and count every contact twice. As an example, UTBOX/CAC. Utah Box Elder County and Cache County. Check your map, there are places you can operate from that represent 3 counties!

If you are out of the 7-area call district, your job is to collect as many counties and contacts as you can with 7-area call stations. You can find complete rules and information on the web at the following web page.

<http://ws7n.net/7QP/new/Page.asp?Content=start>

You can see the results as they are submitted there as well.

What makes this weekend even more exciting is the NEQP, New England QSO Party. 6 States and 67 counties. Connecticut, Maine, Massachusetts, New Hampshire, Rhode Island, and Vermont.

Not to be outdone, Indiana is also on the air with 92 counties.

There is no shortage of contacts to be made. Action can be fast and furious or you can sit back and enjoy the pile ups some of the stations work through.

Operating CW, most of these stations operate far faster than I can copy. So how do you participate if you are new to CW? Listen, listen, and listen. Concentrate on picking out 1 letter at a time, then the next and so on. Then listen for the exchange, again picking out 1 letter at a time. Once you know the exchange, make your call! Listen for them to call you back (make sure you know what your call sounds like at 30wpm). The band will get quiet when its your turn to send your exchange. Send your exchange, the best you can, at your speed. Listen for "TU" "dahdididah. That means they got it. Good Job, get it into your log! Move on to the next signal.

Even if you don't send your exchange, you can still log the stations you hear. After a while, you will pick out complete call signs with complete state/county reports.

So how did I do? I have a claimed score of 6270 points. That represents 110 contacts from 19 different states, all with CW. I was able to work every state in the 7-area call district but Idaho. Maybe they forgot? I was fortunate enough to work all 6 New England states.

While I am not too worried about how I scored against other 7 area call stations; I had a personal best, lots of fun, and made contacts into New England on both 20 and 40 meters. That alone is exciting. Oh yeah, I got 2 Alaska stations too! "KL7" They were calling "CQ 7QP".

How did I do it? I shared some of my techniques above. As for the station, nothing special here. I planted a G5RV antenna in the backyard and it grew overnight to about 37 feet. The ends of the antenna were about 6 feet off the ground. In the shack, I logged with my laptop and N1MM software. I didn't run a frequency (call CQ 7QP from the same frequency), instead I operated "search and pounce". The radio was an Icom 7300 running about 75 watts and keyed by a Vizkey Vertical Bug. Headphones helped a lot. I was amazed at the number of weak stations that came right back to me with just one call! I was tempted to use the built-in memory keyer but I sent every exchange by hand instead.

Looking forward to next year, we won't be locked down and I will pack up the trailer, the wife, the dog, and a battery in search of some lonely county that got missed this year. That's the best way to score 1 st place for that county.

As Larry the Cable Guys always says, "git er done". One small step at a time and you will be logging contacts like the pros.

CLUB NEWS

W7G – Working from Home

Rules: Because we will be distributed and not all in one location for our W7G operations this year, we need to follow some simple rules:

1a) **DATE:** Friday 8 May & Saturday 9 May – Sunday 10 May (optional)

TIME: 1500z - 2300z (9am – 5pm MDT) – extended hours are acceptable

1b) Our "Core Hours" are 9am to 5pm local time. But feel free to make contacts whenever you want, being "stuck at home" affords a little flexibility.

2) "**Base Frequencies**"

a) 40m = 7.235 (LSB) = Phone

b) 20m = 14.255 (USB) = Phone

c) 40m = 7.040 = CW

d) 20m = 14.040 = CW

3) Move up and down the band from that point if you need to, but since these are the published frequencies, people will be listening for us there.

4) Yes, you may **identify as W7G!** We found no restrictions on using a special event call on only one machine. This is a CLUB ACTIVITY and we, as a club, have W7G for the weekend!

5) Before you start calling out, make sure the band is clear. It is VERY POSSIBLE you may try to use a frequency someone else might be using...

6) **LOG ALL CONTACTS!** (send your completed LOGs to the club webmaster, w7su@arrl.net)

Log: Call Sign, Date, Time, Freq, (name optional) <<< of each station contacted

7) **CQ script:** *CQ CQ CQ. This is Golden Spike Special Event Station W7G calling CQ.*

8) **QSO narrative:** *Commemorating the Anniversary of the May 10, 1869 driving of the Golden Spike.*

*Completing the Transcontinental Railroad at Promontory Summit, Utah,
now the US Golden Spike National Historical Park.*

9) **QSL enquiries:** (send us your QSL card and we will respond 100%)

Visit <http://w7g.org> - Golden Spike Special Event website

or www.qrz.com – call sign W7G

10a) Feel free to use DIGITAL, whatever mode you like... remember Digital Operations are in the Digital portion of the Band Plan

10b) Try 6m and 10m... FM, USB, CW, DIGITAL, etc...

11) Receive a Golden Spike Special Event W7G QSL Card souvenir for yourself. Just send in your QSO log.
(see item #6 above)

12) Most of all, have FUN!

CLUB NEWS

Golden Spike Special Event W7G QSL Card for 2020

Pete Heisig WB6WGS, OARC’s QSL Manager, recently acquired a reasonable quantity of professional QSL cards for this years special event. Following a W7G QSO, Pete will send this QSL card to any ham that requests one, by having sent us one of their QSL cards. Each card sent out will also contain a **1869 Transcontinental Rail Road Golden Spike Commemorative USPS forever stamp**.



W7G - Ogden Amateur Radio Club W7SU – Since 1921 P.O. Box 3353, Ogden UT 84409 U.S.A. www.OgdenARC.org www.W7G.org The Golden Spike was 5-5/8 inches long, weighed 14.03 ounces and was made of 17.6 carat gold. It was engraved on all four sides and the top. Two sides bore the names of railroad officers and directors. Another side was engraved, “The Pacific Railroad ground broke Jan 8th 1869”. The forth side was engraved, “May God continue the unity of our country as the railroad unites the two great oceans of the world. Presented David Hewes San Francisco”. The top of the spike was simply engraved, “The Last Spike”.				
Confirming contact with:		Day Month Year		
BAND	MODE	RST	UTC	QSL
				S R

CLUB NEWS

Receive a Golden Spike Special Event W7G QSL Card Souvenir for yourself

Operate your HF station from home using the call sign W7G during this special event period and be sure to log your QSO information. After the event, turn in your QSO log to the club webmaster and our OARC QSL manager, Pete Heisig WB6WGS, will issue you your own **Golden Spike Special Event W7G 2020 QSL Card** souvenir.

See [Working from Home Rules](#)

73, Golden Spike Special Event



CLUB NEWS

How the Ogden Amateur Radio Club – W7SU is responding to Covid-19

While our nation is coping with Covid-19 with all its social distancing and attendant precautions the Ogden Amateur Radio Club located in Weber County Utah has elected to use this as an opportunity to practice and enhance our radio ability,

To his end the Ogden Amateur Radio Club – W7SU which was established in mid-May 1921 and affiliated with ARRL on 30 Jan 1937 has implemented the following:

Our first “On the Air” Club Meeting was held 21 Mar 2020 via our (4) OARC repeaters. The topic was “Nets” presented by Program Director Gil Leonard – NG7IL. Seventy two (72) members participated.

On 30 March 2020 our Board held our first “Zoom” meeting with eleven (11) attendees. At that meeting the following future activities and events were approved.

Starting 1 April 2020 a General Class Study Group will be conducted via Zoom. It will proceed weekly every Wednesday through the 3 June 2020 test date. Rather than a class this will be conducted in a self- study group format with topic knowledgeable mentors participating to respond to specific “student” questions. Lacking any specific questions the discussion leader will present specific areas for discussion.

From 13 April through 17 April 2020 the club will conduct a “Poker Run” activity. Participating club members must contact each of five (5) different “dealers” via any of the four (4) OARC repeaters to request a card. The dealers will provide the player with a card from a google spread sheet. The winners will be high hand, low hand, and a random drawing for all participants including dealers.

On 18 April 2020 at our On the Air Club Meeting via Zoom the winners will be announced.

We plan to continue to conduct our monthly club meetings as On The Air Net meeting until the Covid-19 situation has past.

We are considering operating our pre-planned May 10th Golden Spike Special Event from our home operating positions if necessary, and we will do the same for Field Day if things are not back to normal by then.

J. Siddle KG7CJN

Submitted to ARRL by J. Siddle KG7CJN following a query by same.

CLUB NEWS

Ogden Amateur Radio Club On The Air Meeting

448.600 Mt Ogden Repeater 18 April 2020 9:00AM

Poker Run 2020 Results

Purpose was to encourage contacts

Dealers	5
Unique Players	31
Cards Dealt	143
Full Hands	27

Check-ins for Meeting 54

Wild Card Drawn 4 Hearts

Winners

High Hand \$50.00
KE7IET Jason Miles

Low Hand \$25.00
KE7NQH Mike Taylor

Random Drawing \$25.00
"12" KB7FWW Barbara Siddle

Good luck next time.

CLUB NEWS

NEWS YOU CAN USE

DID YOU KNOW ?

OARC membership is currently at 114 and counting.

Congratulations everyone!

CLUB NEWS

NEWS YOU CAN USE

To all OARC members.

Consider joining the OARC Yahoo Group

It is through this Yahoo Group that OARC communicates meeting and activities notices and newsletter releases as emails sent through our Yahoo Group.

Just click the OARC Yahoo Group icon and register your email address. We currently have 155 users signed up to receive our emails.

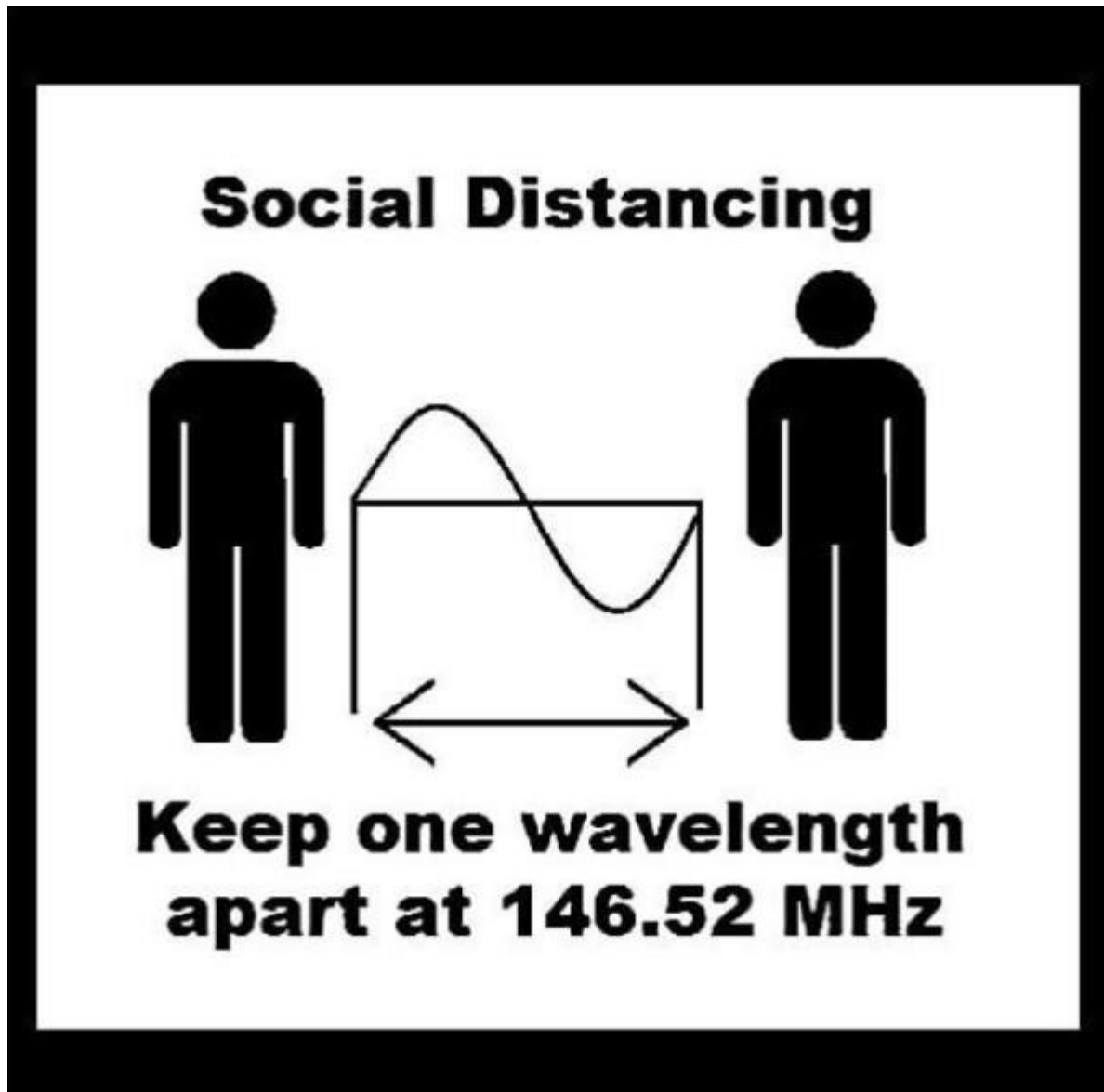


[Join OARC Yahoo Group](#)

Receive club related notices and information

CLUB NEWS

I asked Mike Fullmer KZ7O for an OARC repeater update ...
and this is what I received. Enjoy!



CLUB NEWS

REPEATER STATUS UPDATE

The question has been asked, "what is the condition/status/prognosis regarding the Little Mountain 70cm repeater?" I will provide an update with this article.

The 448.575 repeater, on Little Mountain, is fully operational. It is a little hard of hearing, which means it does not hear very well, but it does fully work. I brought up the autopatch just yesterday (April 30) to make sure it was functional. Other people also check out the functionality from time to time. You will have a hard time getting into it with a handheld, unless you have a direct line of sight to it, meaning no trees, walls, or anything else, except open air. With a mobile and 25 watts or so, you can get into it from most places west of the mountains, in Weber County.

It is the only one of the 4 club sponsored repeaters that has a voice. The other 3 repeaters are Yaesu Fusion repeaters. This one is a Motorola radio with an Arcom controller. This is because it has a fully functional auto patch. The instructions for the autopatch are on the website. Autopatches are a little "old school", but the sheriffs office likes to have it available.

This repeater speaks the time and temperature. It says "good morning" at 8am and "good evening" at 6pm. There are touch tone codes for some of the things it will speak back to you. These codes are on the website.

The other 3 repeaters all use a 123hz tone. This repeater uses a 100hz tone. It is different because we had concern about this repeater and the 448.600 repeater interfering with other. They are only 25khz apart.

This repeater is in the same "shack" as the 146.82 repeater.

Its antenna shares a short tower with the 146.82 repeater.

The repeater is 100% solar powered. There is no commercial power at this site.

So, feel free to use it.

Mike, KZ7O

OARC Web Site



www.OgdenARC.org

Runs autonomously with no physical attachment to anything other than it's power source. Connectivity to the outside world is via WiFi.

**Hardware: Raspberry Pi 4b, 1.5 GHz Processor , 64 Bit Quad Core, 4 Gb RAM
w/ WiFi, Ethernet, Blue Tooth, USB x4, HDMI x2, Stereo**

Software: OS—Linux (Raspbian—Buster)

Web/eMail Server—Nginx & Postfix, w/ HTTP, PHP & FTP

Web site: hosted at K7HCP.com

Website Content: (as of 2018)

1.09 GB - Programs & Data

95 - Folders

3241 - Files

109 - Html (web pages)

2644 - JPG (pictures)

323 - PDF (documents)

165 - other files

CLUB NEWS

Ham Shack Photos

Last month the unidentified Ham Shack Photo was ...

Gil Leonard NG7IL



I think most everyone must have one of these!

Who would have guessed?



CLUB NEWS

Ham Shack Photos

The next in the series of unidentified ham shacks is shown below.

Do you know whose ham shack this is?



Nice Shack !

Yes, I'm sure the cat thinks it's theirs.

CLUB NEWS

STILL WANTED

Ham Shack Photos

We want you to submit pictures of your ham shack to us for future publication in the club newsletter. Submit home ham shack, mobile ham shack, handheld ham shack. Antennas too.

I will keep the submissions anonymous if you prefer.

My thinking is that I would publish one-set of ham shack pictures each month with the idea that all viewers could privately try to guess whose ham shack was featured that month.

I think it will be interesting to see the wide variety of equipment that each of us has chosen to populate our hobby work space with. This could be invaluable to each of us as we make future decisions about equipment upgrades.

Thank you in advance. 73, Val K7HCP

Submit to

k7hcp@arrl.net

Or

801.389.0690

So How About it?

Send me your Ham Shack Photos soon.

CLUB NEWS

Repeat Article



WHAT DO YOU THINK?

A while back Gil NG7IL designed an alternative club logo (shown below) for consideration to replace our current club logo (shown to the left).

We have yet to consider this action as a club so I suggest that the board and members give this some thought.

WHAT DO YOU THINK?



CLUB NEWS

OARC Logo offerings

Here is the link to the logo for shirts and other items. He will update photos from time to time. The logo has minor changes and he is offering a single color logo (black) that will go on just about any color shirt.

<https://squareup.com/store/OARC>

73, Gil



HOBBY NEWS

7QP Update

7QP – Saturday May 02 & Sunday May 03 2020

Sorry! - By the time you see this the event may be over.

... See 7QP report from Gil NG7IL above ...

We have an outstanding record to uphold. Based on number of logs received last year, 7QP is still the 3rd largest QSO party in the country and growing. All kinds of 7QP info is available at www.7QP.org.

Remember the Digital category or in mixed mode. Any digital contact counts 4 points! We can help out all those guys looking for Utah on RTTY or PSK. Suggested frequencies: 80 kHz up on PSK; 86 kHz up on RTTY. The Digital modes provide another way to get more new operators with modest stations into the activity on HF. Unfortunately, FT4 and FT8 will not work, the 7QP exchange not compatible.

If you log on a computer, please email us a copy of your log even if you don't care to compete for an award. It helps us score the event. A convenient Web Form is available to paste your log into.

Suggestion: If you are not using a computer logging program, now is the time to get into it. I suggest using N1MM+. It's easy, it's FREE, and was used by 63% of all entrants last year. Even if you are using another program to track your QSOs, DXCC, etc., you can easily export your log from N1MM back into it when the contest is over. Not only that, there are three other QSO parties that also use our weekend. N1MM is the only one that will let you log their exchange as sent. You can then enter these by sending your log to them. It helps us and them too.

Talk it up when you can. Your support and enthusiasm for this event is the backbone of the participation in Utah. And remember to put May 2nd on your wife's calendar so you don't get pre-scheduled.

As always, thanks for your support of the 7QP.

Darryl Hazelgren K7UT

7QP Captain for Utah

(801)580-9636

darryl@hazelgren.net

HOBBY NEWS

ARRL Rocky Mountain Division QST

Utah Valley Hamfest 2020 **May 8-9** (Fri & Sat)

Location Sorensen Center Utah Valley University.



This event has been CANCELED ! <<<<<<<<<<<<<<<<<<<<<<<

This is the Utah ARRL State Convention for 2020.

For registration and details please go to

<https://utahvalleyhamfest.com/>

73 Mel Parkes, NM7P ARRL Utah Section Manager

HOBBY NEWS

ARRL Rocky Mountain Division Convention

Dear Friends,

We understand with all that is happening in the world right now that it is difficult to think about what is happening this summer. However, we want to remind you that the ARRL Rocky Mountain Division Convention is being held

August 8-9 in Denver.

At this time, we fully expect our event to be held and we are looking for your support.

If you would add a link to the convention's website to your website, alert your club members, and generally share amongst your ham friends, we can all look forward to a fun and successful event. Our call for papers and presentations is open on our website, and we'd love to have your submission too.

We all hope things in the world settle down soon and the convention might just be the first time we can gather with our ham radio friends. We have attached a copy of the current HamConColorado 2020 flyer in pdf format.

(see OARC website)

We wish you well and thank you for your continued support.

73 from the HamCon Colorado Committee

Website <http://www.hamconcolorado.com/>

FEATURE ARTICLE

by Kent Gardner WA7AHY



COVID-19 Pandemic + 5.6 Magnitude Earthquake = Increased Net Activity

In the submarine movie *Crimson Tide*, a fire occurs in the galley. As the Executive Officer, Denzel Washington directs the effort to put it out, the Captain, Gene Hackman, is informed. He immediately orders a test missile readiness drill to give the crew experience in handling emergencies while under stress.

The Ogden (Utah) Amateur Radio Club (OARC) had emergencies to contend with also. Our local net activities started to increase because of the pandemic. The weekly Ham and Eggs (at night) net check-ins were increasing from an average of 24 to about 36. The 10-meter net started out about 5 or 6 and the CW net did about the same.

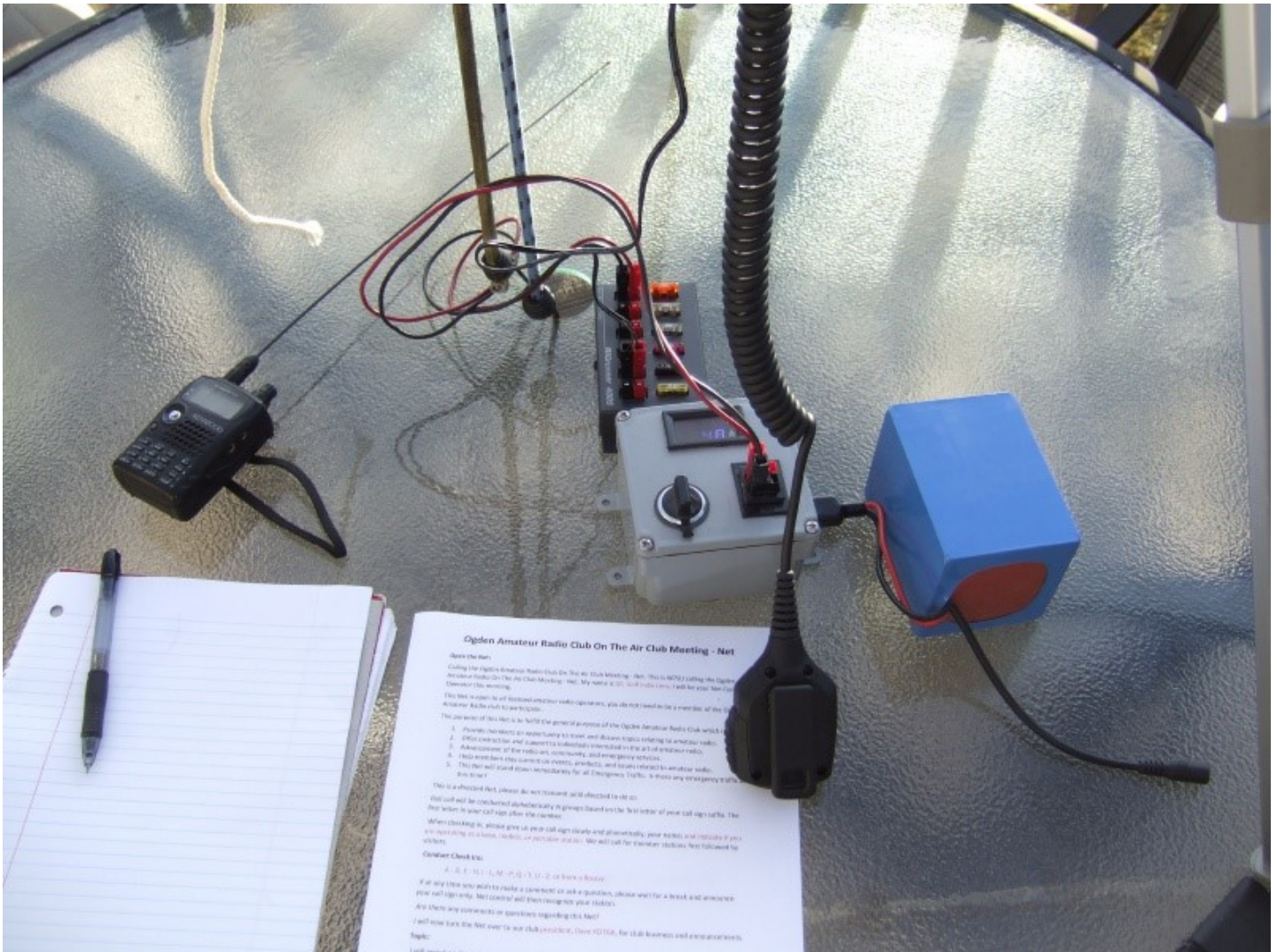
Then came a 5.6 Magnitude earthquake that hit Northern Utah on 18 March 2020. Thirty seconds of shaking really opened everyone's eyes. Net check-ins doubled overnight.

As it happened, the COVID-19 worry closed our fire station club meeting space. Should club officers cancel the meeting altogether? What could be done? The speaker Gil Leonard, NG7IL had planned to talk about net protocols. Why not have an actual, all inclusive, club net and do it in real emergency circumstances. The plan was immediately approved.

Gil became the net control and went on the air, using the club callsign W7SU, at 9:00 AM on our regular Saturday meeting time. He set up his station on his back patio using a handheld set to 500 milliwatts and a 440 beam on a tripod pointed toward a repeater. Club member check-ins were first and then visitors. A whopping 72 answered the call.



The 440 MHz emergency beam antenna was attached to a tripod. It was pointed toward one of our club repeaters on Mt. Ogden. A handheld (not shown) was the main radio and was affixed to this tripod and connected with a short length of coaxial cable.



The main handheld is powered via the Lithium Ion battery, through a volt/ammeter and a Powerpole DC distribution panel. The main handi-talki was secured to the tripod and has a speaker mike hanging down for ease of use by the operator. Two bungee cords held the antenna tripod securely to the tabletop. The handheld on the table to the left was a backup unit.

The net was temporarily closed and the meeting topic was presented using his own call sign. All participants were treated to some real net protocols and no-nonsense information about how to conduct a net. He then opened it up again using the club call sign and took some comments. He had to close a little early so that the local ARES net could start on time. ARES too, doubled their check-ins. This event was also streamed on YouTube.

Viruses and earthquakes seem to bring out the best in ham radio operators.

TNX

Kent Gardner, WA7AHY

Photos by Gil Leonard, NG7iL

GUEST ARTICLE

by Dan KB6NU



A modest proposal (for the next Extra Class question pool)

At our last club meeting, I was discussing the changes to the Extra Class question pool with someone, and the topic of memorizing the answers popped up. As I always do, I mentioned that many of the questions you can only get right by memorizing the answer. At that point, someone down the way piped up. “Not me,” he said, “I studied the material so that I didn’t have to memorize the answers.”



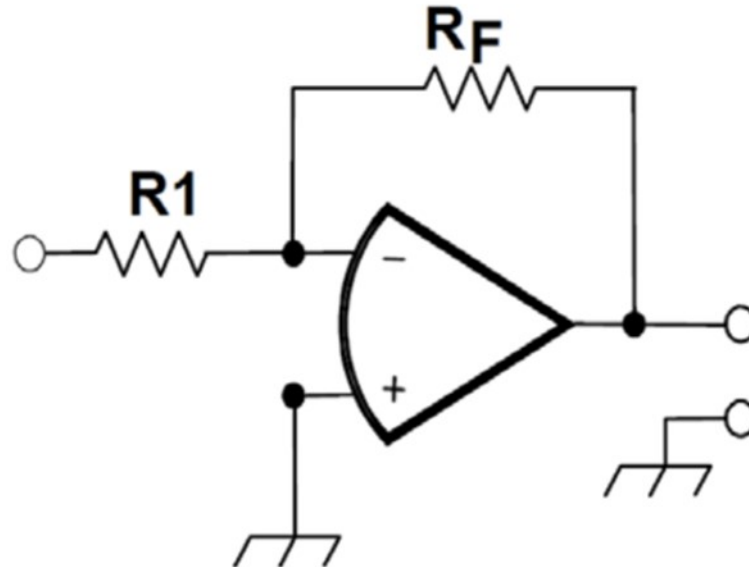
At that point, the president called the meeting to order, so I didn’t get to challenge him on that point, but that statement is just plain wrong. First of all, it’s true that some questions you can only get right by memorizing the answer. Almost all of the rules questions are that way, for example.

Secondly, there is no way to study the rest of the material in any depth and still have time to actually be an amateur radio operator. The amount of material that the Extra Class question pool covers takes an electrical engineering student four years or more to study thoroughly. And even then, some topics are bound to get short shrift.

So, we’re back to memorizing. I would say that even an “engaged” person will memorize about half the answers. I’d go even further and say that those that “study” the technical topics, don’t study it as thoroughly as a college student would.

For example, there are a dozen questions in Section E7G – Active filters and op-amp circuits: active audio filters; characteristics; basic circuit design; operational amplifiers. Despite the name, you don’t need to know how to design or build an op-amp filter. All you really need to know is that op-amps are high gain devices and if you have a circuit like the one shown below, $V_{out}/V_{in} = R_F/R_1$.

Figure E7-3



These concepts are relatively easy to learn. but there are also two questions on filter “ringing.” Honestly, you’re better off just memorizing the answers to those questions unless you have a real interest in active filters that use op amps. Wading into the mathematics isn’t all that hard, but when you consider this is only one of dozens of topics, you can see where doing any kind of in-depth study is going to take you months, if not years, to accomplish.

A modest proposal

The end result of this approach to testing is that we have many Extra Class licensees who know about a lot of things, but not in very much depth. Perhaps that’s OK. Perhaps that’s just what the question pool committee of the National Council of Volunteer Examiner Coordinators (NCVEC) was shooting for. If, however, we want an Extra Class license to denote that the licensee has some real technical expertise, I have a modest proposal.

Basically, my idea is that instead of testing on an incredibly wide range of topics, we test applicants on a set of basics, plus one or two particular topics. These would be topics that the person has expertise in already or enough of an interest in to study the topic in some depth.

Below are the topics that I would consider to be basic and some that I consider to be more specialized. This is, of course, not an extensive list.

Basic questions (20 questions, everyone takes this part of the exam)

- Safety

- Rules and regulations

- Electrical principles/basic circuits

Technical Interests (Choose two, 20 questions each)

- Antennas and transmission lines

- Radio wave propagation

- EMI/RFI

- Analog and digital design

- Digital communications and networking

- Software/software-defined radio

- Operating: contests, DXing, direction finding, etc.

- VHF/UHF

The questions in each of the technical interest question pools would be designed to really test the knowledge of the person taking the test. We'd have to figure out a way to make them difficult enough so that one couldn't just simply memorize the answer. Questions could appear in one or more technical interest test. For example, a question on VHF/UHF propagation could appear in both the Radio Wave Propagation and VHF/UHF question pools.

Having said all this, I realize that this would not be easy to implement. You'd have to first decide on the topics and then enlist experts for each of the topics and get them to come up with a list of 80 – 100 questions each.

I realize that this has very little chance of being adopted, but it's interesting to think about, no? And, we have four years to do this, so it could be possible.

=====

Dan Romanchik, KB6NU, is the author of the KB6NU amateur radio blog (KB6NU.Com), the “No Nonsense” amateur radio license study guides (KB6NU.Com/study-guides/), and often appears on the ICQPodcast (icqpodcast.com). When he's not thinking up ways to make the lives of the NCVEC question pool committee more difficult, he likes to build stuff and operate CW on the HF bands.



NOAA Updates Solar Cycle 25 Prediction

Frank Donovan, W3LPL, notes that the National Oceanic and Atmospheric Administration (NOAA) Space Weather Prediction Center ([SWPC](#)) has published its official updated prediction of Solar Cycle 25 in new, interactive [Solar Cycle Progression graphs](#). The updated prediction is based on the results of NOAA's Solar Cycle 25 Prediction Panel.

"SWPC forecasts a solar maximum between 105 and 125, with the peak occurring between November 2024 and March 2026," Donovan said. "There is broad consensus that solar minimum is ongoing this year -- or may have already occurred -- and that Cycle 25 will have no major change in the level of solar activity compared to Cycle 24."

As Donovan explained, for many years the SWPC's solar cycle predictions have used the Royal Observatory of Belgium's International Sunspot Number. SWPC's official solar cycle prediction now uses the SWPC sunspot number. The International Sunspot Number is typically about one-third lower than the SWPC sunspot number.

"While this is SWPC's official Cycle 25 prediction, it's important to note there is still divergence among various forecasting methods and members of the space weather forecasting community," Donovan said. "Most forecasts and forecasters agree that the Cycle 25 peak is likely to be within $\pm 20\%$ of Cycle 24 and is likely to occur between 2024 and 2027."



ARRL Suggests Taking a Creative Approach to Field Day 2020

This year, ARRL [Field Day](#) promises to be a unique iteration of this annual event, with many individuals and groups coming up with new and interesting ways to adjust their approach. As an event, Field Day is structured to be versatile and can be adapted for any situation.

Many groups have asked how they can adjust their Field Day planning to address social-distancing guidelines that may be in effect in many areas of the country, as gathering at their traditional Field Day site may not be feasible or safe. Instead of participating in a group event this year, consider operating as a Class B, C, D, or E station, utilizing your own call sign.

ARRL will include club names for all participating stations in the published results, so the efforts of your club's members can be acknowledged. While we will not publish an aggregate club score, seeing the name of your club associated with various individual member's results is certainly a way to highlight your club's activity.

Myriad opportunities are possible in this year's Field Day setting. A few options are as follows:

- Consider having an intra-club competition among members, seeing who can make the most contacts during the event. You can award prizes or distribute certificates at a club meeting. This can be a fun way to bolster the activities of individual club members, even though they cannot all gather together at the same location this year.

Set up a Field Day Challenge with rival clubs in neighboring communities. See how many members of each club get on the air from their own stations and participate in the event. In addition to "bragging rights," perhaps certificates to the top-scoring individual entries in each category can be presented as part of this inter-club camaraderie.

One club is planning to conduct its Field Day as a 4A club group, with participants spaced to comply with social distancing guidelines within the required 1,000-foot-diameter circle and operating individual stations. This club also plans to set up a "Get on the Air" (GOTA) station. The club's plan is to have the GOTA coach at the Field Day site, while GOTA operators participate via remote link.



FCC Grants Temporary Emergency Authority to WISPs Operating in 5.8 GHz Band

The FCC has [granted](#) temporary permission to wireless internet service providers (WISPs) in rural portions of 29 states and the US Virgin Islands to operate in the 5.8 GHz band (5.850 – 5.895 GHz). The authorization, to help meet the temporary surge in demand for residential fixed broadband services during the COVID-19 pandemic, was one of multiple waivers issued in the past week that grant temporary access to a variety of bands in response to the uptick in residential broadband demand.

The 5.8-GHz grants were effective on March 26. Each grant is for 60 days, provided individual WISPs file STA applications within 10 days of March 26. Amateur Radio shares this spectrum on a secondary basis with Dedicated Short-Range Communications (DSRC) systems and industrial, scientific, and medical (ISM) applications, and that status remains unchanged.

“[E]ach applicant is independently responsible for complying with the conditions of its grant,” the FCC’s Keith D. Harper, Associate Chief of the Wireless Telecommunications Bureau Mobility Division wrote in granting the request. “Applicants are advised that this includes ensuring proper protection of incumbents in the 5.8 GHz band.” The Commission noted that WISPs are responsible for ensuring that they do not cause interference to existing licensees.

According to the request, each of the WISPs provides fixed wireless broadband service in rural areas, primarily relying on unlicensed spectrum for last-mile connections to end users. “Many of the WISPs’ customers have no other alternative to terrestrial broadband services,” the request said.

Commenting earlier this month in response to an FCC *Notice of Proposed Rule Making (NPRM)* in WT Docket 19-138 — in which the FCC said it would “take a fresh and comprehensive look” at the rules for the 5.8 GHz band — ARRL called the FCC’s attention to the widespread use of the 5.8 GHz band for amateur mesh and amateur television networks, as well as links that radio amateurs have engineered into the band on a non-interference secondary basis “and which often are used directly for public service purposes when there are no other facilities available.”

The Commission’s emergency grant explicitly requires that the WISP operations be conducted on a non-interference basis. If unexpected interference within this spectrum range is experienced, radio amateurs should consult [Attachment 1](#) of the grant and contact the WISP indicated at the address and email address provided.



Club Swapmeet



“SALE” or “WANTED” ITEMS NEEDED

OARC's **O-bay (On-Line Swap-Meet)** items needed for the web site...

Visit OgdenARC.org then click O-Bay Swap

FEATURED ITEMS

SWAP ITEM # 207

New Postings Wanted

CLUB REPEATER NEWS



Scott Willis KD7EKO



Mike Fullmer KZ7O

Scott Willis KD7EKO and Mike Fullmer KZ7O are the OARC repeater engineers that keep our club repeaters at Mt Ogden and Little Mountain operational.

Club Badges

OARC Club badges are available for all licensed club members.

The cost is \$10.00 each. The badge comes with a “MAGNETIC” clip. Badge includes your Call Sign in large letters and your First Name in a somewhat smaller font in white lettering on a pitch black background with the club logo. See example below.



Place your order along with \$10.00 in advance for each badge ordered and specify Call Sign and First Name. Contact webmaster or any club officer via email or contact the club treasurer at the next club meeting.

For additional information see club website left side menu and click “Join” to fill out a club application form to order a club badge.

Club Badges



UNCLAIMED OARC CLUB BADGES

New members have ordered pre-paid club badges that have not been claimed. You can claim your badge at any club function, meeting, activity or event or contact the club badge czar / club treasurer Jerry KG7IGW or J. Siddle KG7CJN

If you are reading this and you are one of the following hams, please collect your badge. Even if you are not reading this, come collect your badge.

AC7GV - JOHN
K7PRH - REED
K7YZU - BRYCE
KA7TYX - MAX
KD7RPT – SPARKY
KF6CCK – DAVID
KF7CFK - CHUCK
KF7HNU – RALPH
KF7QPR - JOHN
KG7KFD – TONY
KT7JIM – JIM
W0OSI - RON

OARC YAHOO GROUP




Did you know that OARC has a Yahoo Group?

We occasionally communicate with our OARC members via the Yahoo Group. Receive notices regarding upcoming club meetings and future e-newsletter release notices and much more like CHAT items of interest.

You can also send/receive notices to/from other group members yourself.

It's easy to sign up...



Just click on the  icon at the top of the club website home page and then follow the Yahoo Group instructions to create yourself a user ID and password.

OARC You Tube Channel



Did you know that OARC has a You Tube Channel ?

A lot of our meeting presentations are recorded and posted to our OARC You Tube channel for you to view at a later date.

It's easy to view missed



meetings...

Just click on the icon on the right hand panel of the club website home page to view recorded meetings preserved for your viewing pleasure.

OARC MEMBERSHIP DRIVE

SUPPORT YOUR RADIO CLUB

Don't forget to signup/renew your OARC membership now (\$15) which runs August to August. Consider signing up your spouse as well.

Ham + Spouse = \$15 + \$10 = \$25

THANK YOU FOR YOUR SUPPORT

Join OARC

Renew your membership now!

Membership in the Ogden Amateur Radio Club is open to anyone interested in Amateur Radio. You do not need an amateur license to join us. You do not need to join the club to participate with us. Dues are used to operate the club, field day activities, and repeater equipment maintenance.

Joining is easy. Come to a club meeting or fill out an application form from the club website (click "Join" from the left side main menu). Instructions for mailing on the form.

DUES: Dues are \$15.00 per person and runs August - August. (Ham + spouse = \$25.) More than one ham in the family? Consider the OARC Family plan for \$25.

NOTE: New Hams >>> Membership in OARC is complimentary for remainder of 1st year licensed.

ANNOUNCEMENTS

Next Club Meeting:

3rd Saturday of each Month

The Ogden Amateur Radio Club meetings are usually held on the **3rd Saturday** of each month.

Meeting/Activity:

See notices above

Talk-in: **-146.82 (pl 123.0)**

Check OARC web site for details

www.ogdenarc.org

Please invite a friend to join you. You do not have to be a member of the club to participate in our club meetings or activities. We invite all to join us.

If anyone is interested in doing a presentation on something or just have something unique to show at the meetings. - Please get a hold of any of the officers and let us know.

Next Weber Co VE Test Session:

1st Wednesday Feb, Jun & Oct

Exam sessions are held in Ogden every few months, **usually** the first Wednesday in February, June, and October.

Time: 06:00 PM *Walk-ins allowed*

Location: Permanent location

**Weber County Sheriff Office
Training Room
712 W 12th Street Ogden Utah**

Contact: VE Liaison:

Rick Morrison W7RIK (Liaison)

morrisonri@msn.com (801-791-9364)

Jason Miles KE7IET (IT)

Cost: \$ 14.00

Two forms of **ID**, one of which must be a **picture ID**.

For "Upgrades" bring current **license** and a **copy** of current license, and any **CSCE's**

Most **calculators** allowed. Calculator memories must be cleared before use.

Club Web Site

Be sure to visit our club web site.

www.OgdenARC.org

Club membership is open to anyone interested in Amateur Radio. You do not need an amateur license to join us. Dues are used to operate the club, field day activities, and repeater equipment maintenance.

Club Call Sign

Listen to the club repeaters for this very familiar CW ID. You do know Morse Code don't you?

W7SU

ARRL Field Day is held on the last full weekend of June every year.

Location may vary each year so watch this notice for details as time draws near.

See you there.

OARC REPEATERS			
(*) Yaesu Fusion digital/FM compatible			
FREQ	CLUB	TONE	LOCATION
146.900-	OARC (*)	125 DCS	Mt Ogden (w/WiresX)
448.600-	OARC (*)	123.0	Mt Ogden
146.820-	OARC (*) "Talk-in"	123.0	Little Mtn
448.575-	OARC	100.0	Little Mtn (w/auto patch)

OTHER AREA REPEATERS			
FREQ	CLUB	TONE	LOCATION
146.620-	UARC	none	Farnsworth Pk
147.120+	UARC	100.0	Farnsworth Pk
449.100-	UARC	146.2	Farnsworth Pk
449.500-	UARC	100.0	Farnsworth Pk
147.040+	DCARC	123.0	Antelope Isl
447.200-	DCARC	127.3	Antelope Isl
449.925-	DCARC	100.0	No Salt Lake
145.290-	GSARC	123.0	Brigham City
145.430-	GSARC	123.0	Brigham City
147.220+	GSARC	123.0	Brigham City
448.300-	GSARC	123.0	Brigham City
146.640-	BARC	none	Logan
146.720-	BARC	103.5	Mt Logan
147.260+	BARC	103.5	Promontory Pt
449.625-	BARC	103.5	Mt Logan
145.250-	WSU	123.0	* coming soon
449.250-	WSU	123.0	* coming soon
145.490-	K7HEN	123.0	Promontory Pt
146.920-	N7TOP	123.0	Promontory Pt
449.775-	N7TOP	123.0	Promontory Pt
147.100+	Morgan	123.0	Morgan Co
448.825-	IRLP/Echo	123.0	Clearfield City
449.950-	IRLP	123.0	Clearfield City
449.425-	IRLP	100.0	Nelson Peak
147.360+	Summit Co	100.0	Lewis Peak

AREA CLUB MEETINGS & WEB SITES

CLUB	WEB SITE	DATE/TIME	LOCATION
OgdenARC	ogdenarc.org	3 rd Saturday 09:00 am	Check OARC web site ...
WC Sheriff Comm-O		1 st Saturday 10:00 am	Weber Co. Sheriff Complex West 12 th Street Ogden Utah
Barc	barconline.org	2 nd Saturday 10:00 am	Cache Co. Sheriffs Complex 200 North 1400 West Logan Ut
CSErg	dcarc.net /ares.htm/	Last Wednesday 8:30pm	Clearfield City Hall Clearfield Utah
DCarc	dcarc.net	2 nd Saturday 10:00 am	Davis Co. Sheriff Complex Farmington Utah
NU Ares	home.comcast.net/ ~noutares/	3 rd Wednesday 7:00 pm	Cache Co. Sheriff Office Logan Utah
Uarc	xmission.com /~uarc/	1 st Thursday 7:30 pm	UofU EMC Bldg Room 101 Salt Lake City Utah
UVarc	https://uvarc.club	1 st Thursday 6:30 pm	Orem City Council Chamber Room 56 North State St. Orem Utah
GSarc	Ubetarc.org	Check Website	Check Website
Utah DX Association	udxa.org	3 rd Wednesday check web page for details	check web page for details Salt Lake City area
UvhfS	ussc.com /~uvhfs/	Each Tuesday 8:00 pm (refer to web site)	Weekly 2 meter net (no eye ball meetings)
WDArc	westdesertarc.org/	1 st Tuesday 7:00 pm	Tooele County Courthouse Tooele Utah
WsuArc	https://groups.google.com/forum/#! forum/wsuarc	3 rd Thursday 5:30 pm	WSU Blding #4 Room ? Ogden Utah

LOCAL AREA NETS

DATE	CLUB	FREQ
Daily @ 12:30 PM mt	Utah Beehive net HF	7.272 Mhz HF LSB
Daily @ 07:30 PM mt	Utah Code net HF	3.570 Mhz HF CW
Daily @ 02:00 UTC	Utah Farm net HF	3.937 Mhz HF LSB
Sunday @ 8:45 AM	Ogden Old Timers HF net	7.193 Mhz HF LSB
Sunday @ 7:30 PM	GS ARC	145.430 - 123.0 (training net)
Sunday @ 8:30 PM	SATERN Net	145.900 - 123.0
Sunday @ 9:00 PM	Morgan Co Net	147.100 +123.0
Sunday @ 9:00 PM	UARC Info net	146.620- no PL tone required
Monday @ 9:00 PM	2-meter SSB net	144.250 Mhz 2-meter USB
Tuesday @ 7:00 PM	OARC—Ham & Eggs Net	448.600 -123.0
Tuesday @ 8:00 PM	Weber ARES	448.600 - 123.0
Tuesday @ 8:00 PM	VHF Society Swap	147.120 + 100.0
Tuesday @ 9:00 PM	Bridgerland ARC	147.260 + 103.5
Wednesday @ 8:00 PM	GS ARC	145.290-, 145.430-, 448.300- (all 123.0)
Wednesday @ 8:30 PM	CSERG	145.770 simplex
Wednesday @ 9:00 PM	No. Utah 10m HF net	28.313 Mhz HF USB
Wednesday @ 9:00 PM	6-meter SSB net	50.125 Mhz 6-meter USB
Thursday @ 6:30 PM	Davis Co Elmers Net	147.040 + 123.0 New Hams
Thursday @ 8:00 PM	Weber State ARC	146.820 - 123.0 (coming soon)
Thursday @ 8:00PM	State RACES VHF/IRLP	145.490 - 123.0, 146.680 - 123.0 3 rd Thursday - even months only
Thursday @ 8:30 PM	Davis ARES	147.420 = simplex
Thursday @ 9:00PM	Wasatch Back Net	147.360 + 100.0
Saturday @ 8:00AM mst	RACES State HF	3.920 Mhz HF LSB 3 rd Saturday – odd months only
Saturday @ 11:00AM mst	QCWA net HF	7.272 Mhz HF LSB

OARC OFFICERS

President: Dave Mamanakis KD7GR

Vice Pres: Mike Taylor KE7NQH

Secretary: Barbara Siddle WB7FWW

Treasurer: J. Siddle KG7CJN

Program Director:

Gil Leonard NG7IL

Activity Director:

Bob Smith KG7EIZ

"WATTS NEWS" e-Magazine

NL Editor: Val Campbell K7HCP

"OARC" web site

Webmaster: Val Campbell K7HCP

OTHER CLUB APPOINTMENTS

VE Liaison: Richard Morrison W7RIK

Jason Miles KE7IET (IT)

Repeater Engineers: Mike Fullmer KZ7O

Scott Willis KD7EKO

Photographer: Tim Samuelson

KE7DOA

Asst Photographer: Rick Hansen N7EGA

QSL Manager: Pete Heisig WB6WGS

Historian/Librarian: Kent Gardner

WA7AHY

Equipment Manager: Val Campbell K7HCP

Club Call Sign Trustee: Larry Griffin AD7GL

Club Elmer: Stan Sjol W0KP

Advisors: Mike Fullmer KZ7O

Kent Gardner WA7AHY

Kim Owen KO7U

Larry Griffin AD7GL

Gil Leonard NG7IL

Jason Miles K7IET

73 es cul de W7SU

www.OgdenArc.org